

# WGI Bleed Needle Valves

Carbon Steel / Stainless Steel

## Specifications

### Sizes

3/4" x 1/2" NPT

### Maximum Operating Pressure

10,000 psi

### Body & Bonnet Material

A105 Carbon steel or 316 Stainless Steel

### Stem Material

316 Stainless steel

### Stem Packing

PTFE Teflon®

### Stem

Non rotating

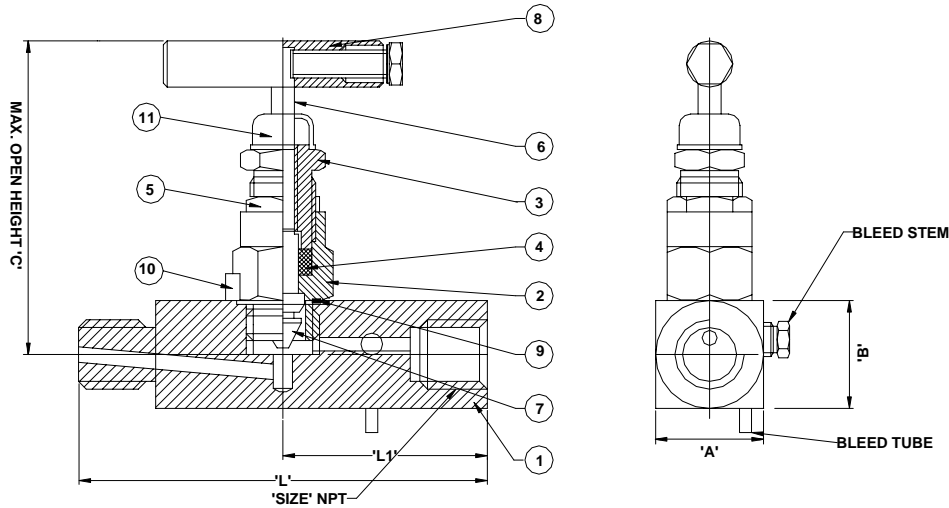
### Temperature Rating

-40° to 500° F (-40 to 250° C) WOG



WN3337

## Dimensions & Part Numbers



No.	Description	QTY
1	Body	1
2	Gland Body	1
3	Gland Retainer	1
4	Gland Seal	1
5	Check Nut	1
6	Spindle	1
7	Trim	1
8	Handle	1
9	Washer	1
10	Lock Pin	1
11	Dust Cap	1

Part No.	Size	Pattern	Ends	Matl.	A	B	C	L	D	Cv
WN3537	3/4" x 1/2"	G	MxF	C/S	32.0	32.0	88.0	95.0	7.0	?
WN3337	3/4" x 1/2"	G	MxF	316SS	32.0	32.0	88.0	95.0	7.0	?