

### Pressure Gauges

#### Application

WGI Elite series pressure gauges have a 304 stainless steel case for use in harsh or corrosive environments, liquid filled for significant cushioning and pulsation dampening which reduces pointer flutter and internal damage. Industries suited for include oil and gas equipment, refineries, hydraulic equipment, agricultural equipment, pressure washers, pumps, compressors and process systems.

#### Ranges (all ranges not stocked)

Vacuum / Compound to 30" Hg / 0 / 60 PSI  
Pressure from 15 PSI to 15,000 PSI

#### Standard Features

**Size**  
6" Dial

**Fill Fluid**  
Silicone

**Lens (Window) Material**  
Acrylic & Safety glass (ranges over 5000 psi)

**Dial**  
White aluminum with black and red lettering

**Pointer**  
Black aluminum

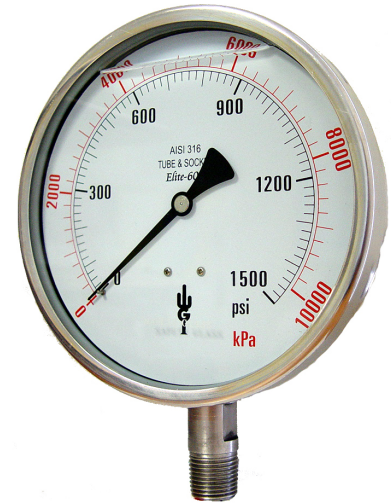
**Accuracy**  
± 1% ASME B40.1 Grade A

**Tube & Socket**  
316L Stainless Steel

**Temperature Limits**  
-60°C (-4°F) to 70°C (158°F) ambient and medium

**Pressure Ranges**  
-30" Hg. Vacuum to 15,000 psi/kpa

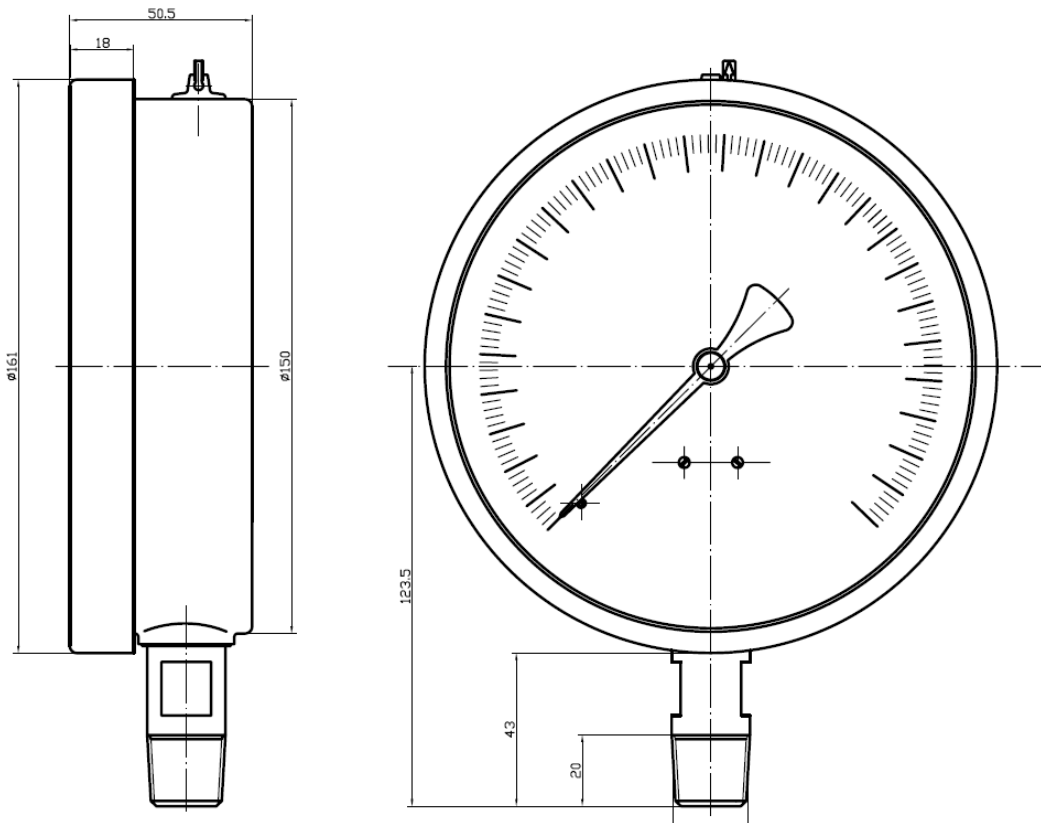
**Case Material**  
304 Stainless Steel



#### Optional Features (minimum order may apply)

- Private label (your logo on dial)
- Custom dial layout
- Single scale, Bar, kPa, Kg/cm<sup>2</sup>
- Rubber "gauge guard"
- Cleaned for O2 Service
- Nickel or Chrome plating
- Plastic lens
- Special connections limited to wrench flat area
- Custom soldering connection for high temperatures
- Stainless steel case
- Brass case
- Medical specification

| Elite 600 Series                   |          |
|------------------------------------|----------|
| Connection                         | 1/2" BTM |
| Pressure Range                     | 6" Dial  |
| 30" Hg. x 30 psi / -100 to 210 kpa | WH20912P |
| 0-15 psi / 105 kpa                 | WH20940P |
| 0-30 psi / 210 kpa                 | WH20942P |
| 0-60 psi / 420 kpa                 | WH20946P |
| 0-100 psi / 700 kpa                | WH20948P |
| 0-160 psi / 1100 kpa               | WH20952P |
| 0-200 psi / 1400 kpa               | WH20954P |
| 0-300 psi / 2100 kpa               | WH20958P |
| 0-400 psi / 2800 kpa               | WH20960P |
| 0-600 psi / 4200 kpa               | WH20964P |
| 0-1000 psi / 7000 kpa              | WH20972P |
| 0-1500 psi / 10,000 kpa            | WH20974P |
| 0-2000 psi / 14,000 kpa            | WH20976P |
| 0-3000 psi / 21,000 kpa            | WH20978P |
| 0-5000 psi / 35,000 kpa            | WH20982P |
| 0-6000 psi / 42,000 kpa            | WH20984P |
| 0-7500 psi / 52,000 kpa            | WH20986P |
| 0-10000 psi / 70,000 kpa           | WH20990P |
| 0-15000 psi / 105,000 kpa          | WH20992P |



**Western Gauge & Instruments Ltd. – Head Office**  
 1,2 4045 – 74 Ave S.E.  
 Calgary, AB T2C 1H5  
 Ph: (403) 236-4888 Fax: (403) 236-7629  
 Email: sales@wgiltld.com

**Western Gauge & Instruments Ltd. – Branch Office**  
 6624 – 50<sup>th</sup> Street  
 Edmonton, AB T6B 2N7  
 Ph: (780) 463-3800 Fax: (780) 463-3990  
 Email: edm@wgiltld.com