

### Application

WGI Elite series pressure gauges have a 304 stainless steel case for use in harsh or corrosive environments, liquid filled for significant cushioning and pulsation dampening which reduces pointer flutter and internal damage. Industries suited for include oil and gas equipment, refineries, hydraulic equipment, agricultural equipment, pressure washers, pumps, compressors and process systems.

**Ranges** (all ranges not stocked)  
Vacuum / Compound to 30"Hg / 0 / 60 PSI  
Pressure from 15 PSI to 15,000 PSI

### Standard Features

#### Size

1½" Dial

#### Fill Fluid

Silicone

#### Lens (Window) Material

Acrylic & Safety glass (ranges over 5000 psi)

#### Dial

White aluminum with black and red lettering

#### Pointer

Black aluminum

#### Accuracy

± 2%-1%-2% ASME B40.1 Grade A

#### Tube & Socket

316 Stainless tube soldered to Stainless socket

#### Temperature Limits

-60°C (-4°F) to 70°C (158°F) ambient and medium

#### Pressure Ranges

-30" Hg. Vacuum to 15,000 psi/kpa

#### Case Material

304 Stainless Steel



### Optional Features (minimum order may apply)

Private label (your logo on dial)

Custom dial layout

Single scale, Bar, kPa, Kg/cm<sup>2</sup>

Rubber "gauge guard"

Cleaned for O2 Service

Nickel or Chrome plating

Plastic lens

Special connections limited to wrench flat area

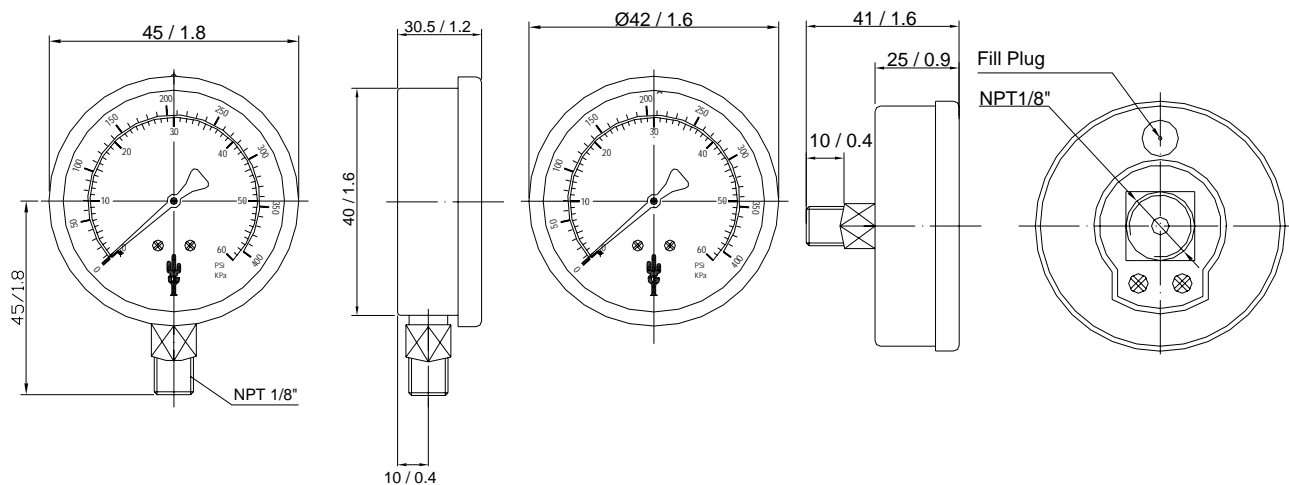
Custom soldering connection for high temperatures

Stainless steel case

Brass case

Medical specification

Connection	Elite 150 Series	
	1/8" BTM	1/8" CBM
<b>Pressure Ranges</b>		
30" Hg. Vac	WJ1105P	WJ1005P
30" Hg. x 30 psi	WJ1112P	WJ1012P
30" Hg. x 60 psi	WJ1114P	WJ1014P
0-15 psi / kpa	WJ1140P	WJ1040P
0-30 psi / kpa	WJ1142P	WJ1042P
0-60 psi / kpa	WJ1146P	WJ1046P
0-100 psi / kpa	WJ1148P	WJ1048P
0-160 psi / kpa	WJ1152P	WJ1052P
0-200 psi / kpa	WJ1154P	WJ1054P
0-300 psi / kpa	WJ1158P	WJ1058P
0-400 psi / kpa	WJ1160P	WJ1060P
0-600 psi / kpa	WJ1164P	WJ1064P
0-1000 psi / kpa	WJ1172P	WJ1072P
0-1500 psi / kpa	WJ1174P	WJ1074P
0-2000 psi / kpa	WJ1176P	WJ1076P
0-3000 psi / kpa	WJ1178P	WJ1078P
0-5000 psi / kpa	WJ1182P	WJ1082P
0-6000 psi / kpa	WJ1184P	WJ1084P
0-7500 psi / kpa	WJ1186P	WJ1086P
0-10000 psi / kpa	WJ1190P	WJ1090P
0-15000 psi / kpa	WJ1192P	WJ1092P



**Western Gauge & Instruments Ltd. – Head Office**  
 1,2 4045 – 74 Ave S.E.  
 Calgary, AB T2C 1H5  
 Ph: (403) 236-4888 Fax: (403) 236-7629  
 Email: sales@wgilt.com

**Western Gauge & Instruments Ltd. – Branch Office**  
 6624 – 50<sup>th</sup> Street  
 Edmonton, AB T6B 2N7  
 Ph: (780) 463-3800 Fax: (780) 463-3990  
 Email: edm@wgilt.com