

WGI Contractor Pressure Gauge (H.V.A.C.)

The WGI contractor pressure gauge was specifically designed for heating, ventilation, air conditioning and plumbing applications. The WGI contractor pressure gauge is ideal for use in any medium not corrosive to copper alloys such as air, oil, water and steam.

Specifications

Case Material
304 stainless steel

Fill Fluid
None

Lens Material
Acrylic

Dial
White aluminum with black and red lettering

Pointer
Black aluminum

Accuracy
± 1% Full scale ASME B40.1 Grade 1A

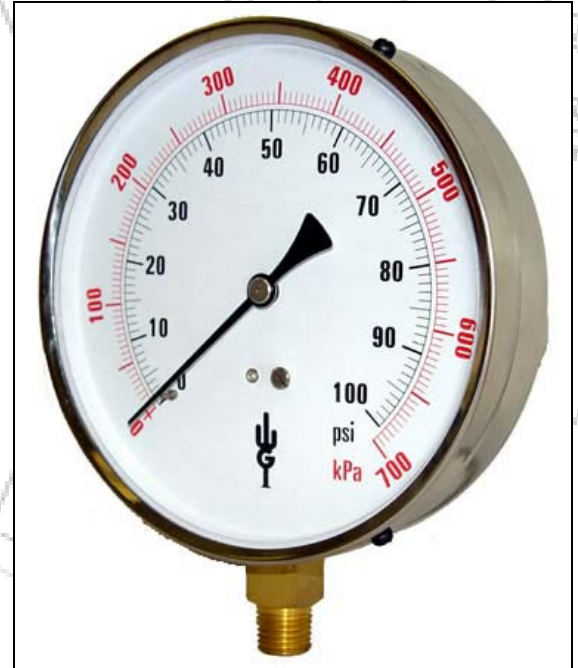
Tube & Socket
Copper alloy / Brass

Temperature Limits
-20°C to 60°C ambient and medium

Pressure Ranges
30"Hg. to 600 psi

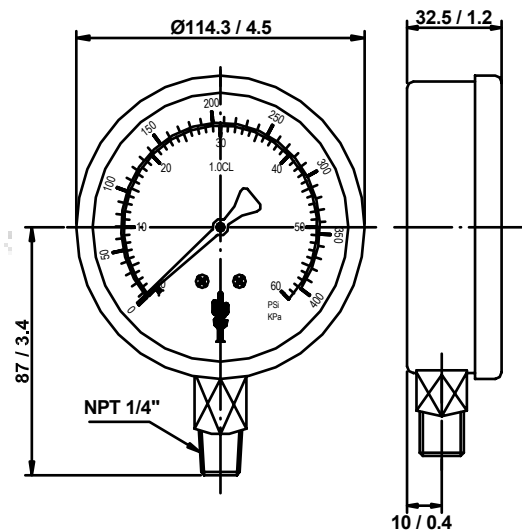
Sizes
4 1/2"

Canadian Registration Number (CRN)
OF5299.25



WH94XX

Part Number	Range	List Price
WH9412	30" HG X 30 PSI/KPA	\$30.00
WH9416	30" HG X 100 PSI/KPA	\$30.00
WH9418	30" HG X 150 PSI/KPA	\$30.00
WH9440	0 – 15 PSI/KPA	\$30.00
WH9442	0 – 30 PSI/KPA	\$30.00
WH9446	0 – 60 PSI/KPA	\$30.00
WH9448	0 – 100 PSI/KPA	\$30.00
WH9452	0 – 160 PSI/KPA	\$30.00
WH9454	0 – 200 PSI/KPA	\$30.00
WH9458	0 – 300 PSI/KPA	\$30.00
WH9460	0 – 400 PSI/KPA	\$30.00
WH9464	0 – 600 PSI/KPA	\$30.00
See Discount Line # 10		



Dimensions: mm / Inch