

WGI White Teflon & Yellow ULC Gas Thread Seal Tape

WGI Teflon tape is a rugged inert tape made from 100% pure, virgin PTFE. It is highly resistant to acids, alkalis, solvents and gases. WGI Teflon tape is clean and easy to use, never dries out and doesn't drip or run. Use WGI tapes anywhere you need strength, thickness and resistance on threaded connections. It keeps its protective qualities indefinitely and adapts to galvanized iron, stainless steel, brass, plastic or fiberglass. Underwriters Laboratory of Canada Approved. Meets US military specification MIL-T-27730A.

Specifications

Sizes

1/2" x 480"
 3/4" x 480"
 1" x 480"

Thickness

White Tape 3mm
 Yellow Tape 4mm

Conforms to Military Specification
 T-27730A

ULC Approved
 CMH1677-ISS.#1C

Service Rating
 -240°C to 260°C (-400°F to 500°F)

Pressure Rating
 Yellow Gas Tape 2250 psi



TT-1/2 & GTT-1/2

General Purpose White Tape				
Part Number	Size	Color	List Price	Discount Line #
TT-1/2	1/2"	White	\$1.00	17
TT-3/4	3/4"	White	\$1.84	17
TT-1	1"	White	\$2.75	17
ULC Gas Approved Yellow Tape				
Part Number	Size	Color	List Price	Discount Line #
GTT-1/2	1/2"	Yellow	\$6.50	17
GTT-3/4	3/4"	Yellow	\$9.84	17
GTT-1	1"	Yellow	\$13.17	17

WGI Rubber Gauge Guards

WGI rubber gauge guards are used to protect pressure gauges from accidental physical damage. Made to fit a 2 1/2" bottom or back mount pressure gauge.

Part #	Color	List Price	Discount Line #
PGG-2.5	Black	\$9.85	18
PGG-2.5B	Blue	\$9.85	18



WGI General Purpose Pressure Snubbers

WGI Pressure snubbers are used to significantly lessen the damaging effects of pulsation on pressure gauges, pressure transducers, transmitters, pressure switches and many other different types of pressure instruments. WGI Pressure snubbers are for use in light oil water and gases.

Specifications

Process Connection

1/4" NPT or 1/2" NPT male x female

Material

Brass or 316 stainless steel

Pressure Rating

Brass 3000 psi

316 stainless steel 20,000 psi

Operating Temperature

Brass -53°C to 343°C (-65°F to 343°F)

316 stainless steel -195°C to 815°C (-320°F to 1500°F)

Canadian Registration Number (CRN)

OC5141.25



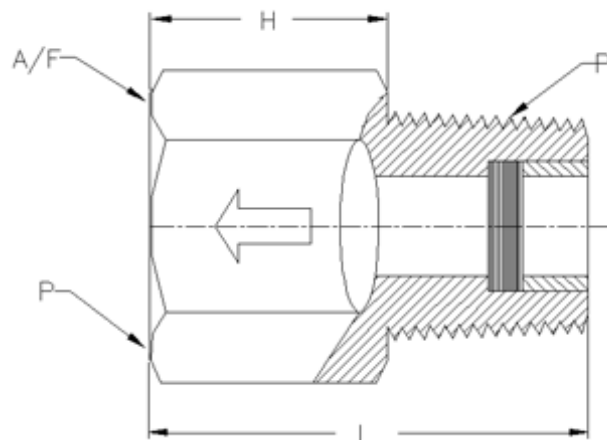
25B – A50S – A25S

Part Number	Material	Size	List Price
25B	Brass	1/4" NPT	\$23.86
A25S	316 Stainless Steel	1/4" NPT	\$59.64
A50S	316 Stainless Steel	1/2" NPT	\$143.75

See Discount Line # 15

Dimensions

Part Number	Material	P	L	H	A/F
25B	Brass	1/4"	1.376"	0.812"	3/4"
A25S	316 Stainless Steel	1/4"	1.376"	0.812"	3/4"
A50S	316 Stainless Steel	1/2"	1.750"	1.00"	1-1/16"



WGI Overpressure Protectors

WGI Gauge protector is an adjustable valve that prevents over-pressuring of instruments by limiting the pressure that is allowed to reach the instrument. The spring loaded poppet valve simply closes when the line pressure creates enough force to overcome the range spring sealing off the pressure to the instrument.

Specifications

Connection

1/2" NPT male x female

Material

316 stainless steel

Pressure Rating

7000 psi @ 20°C

Operating Temperature

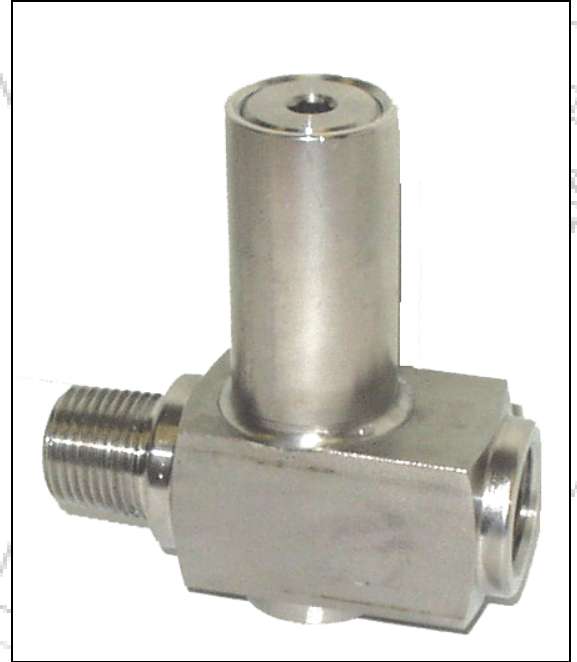
-40°C to 100°C

Adjustment

1/4" Allen head adjustment

Canadian Registration Number (CRN)

OC5141.25

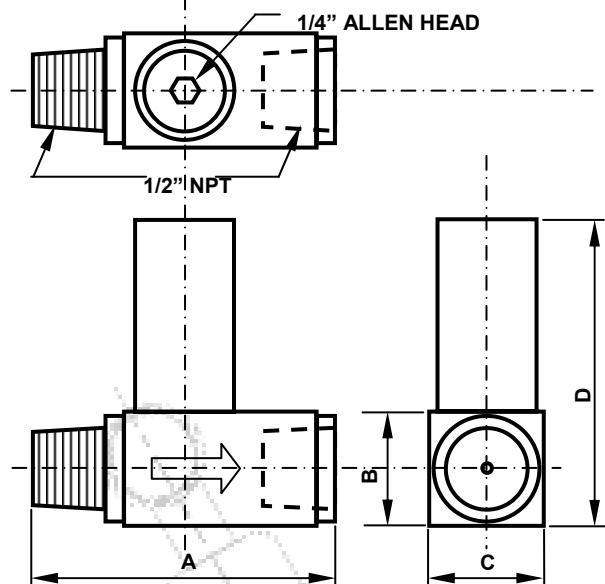


AM416

Part Number	Range	Connection	List Price
AM416-3	90 to 150 psi	1/2" male x female	\$617.00
AM416-4	225 to 350 psi	1/2" male x female	\$617.00
AM416-5	577 to 875 psi	1/2" male x female	\$617.00
AM416-6	1450 to 6000 psi	1/2" male x female	\$617.00
See Discount Line # 15			

Dimensions

Part Number	Material	A	B	C	D
AM416	316 Stainless Steel	80 / 3.1	30 / 1.1	30 / 1.1	89 / 3.5



Hyett Diaphragm Seals

Hyett Diaphragm seals are utilized to protect pressure indicators from harmful process fluids. Diaphragm seals isolate pressure gauges and prevent the medium from entering the internals of the pressure gauge. Diaphragm seals are used to prevent corrosive process fluids from entering pressure gauge internals, clogging gauge internals, or solidifying within the pressure gauge.

Hyett's line of diaphragm seals, in conjunction with WGI pressure indicators, offers instrumentation that is rugged and carefully calibrated to withstand the most severe industrial process or OEM service. Hyett diaphragm seals are available in a variety of metal housing materials and process connection sizes to fit most requirements.

42MW Series diaphragm seals have all welded non replaceable diaphragms.

Specifications

Sizes

1/4" - 1" NPT or 150#, 300# or 600# flanged available

Fill Fluids

Silicone, High temperature silicone, Glycerin,

Lower Housing Materials

Optional Steel, 304SS, 316SS, Hastelloy B or C, Monel, Nickel, PVC, Teflon, Brass, Titanium & Polypropylene

Diaphragm Materials - 316 Stainless Standard

Special Materials include 304SS, Monel, Tantalum, Hastelloy B & C, Carpenter 20, Nickel, Titanium & Teflon

Optional Features

316SS top housing with SS rings, nuts and bolts.
Pipe plugs for flushing connections. Flange faces - raised face, flat face or ring joint

Capillary Lines

If your application requires a stainless steel capillary line, specify one of the following and your desired length when ordering.

- Stainless Steel plain tube 1/4" NPT
- Stainless Steel plain tube 1/2" NPT
- Stainless Steel armored 1/4" NPT
- Stainless Steel armored 1/2" NPT

Pressure Ratings

42MW - 2500 psi
25AW - 1000 psi
15AW - 1500 psi



42MW



15AW - 25AW

Stocked Models

Part Number	Size	Material
42MW-01-CS-1/2U (Upper Housing)	1/2" FNPT	Carbon Steel
42MW-01-316-1/2L (Lower Housing)	1/2" FNPT	316 Stainless
42MW-01-316-1L (Lower Housing)	1" FNPT	316 Stainless
Miniature Seals		
Part Number	Size	Material
15AW-1/4	1/4" FNPT	316 Stainless
25AW-1/2	1/2" FNPT	316 Stainless

WGI Barrel & Pigtail Siphons

WGI Barrel Siphons are a cost effective way to maximize gauge life. WGI Barrel siphons are made from solid bar to produce a rigid mount and easy installation. Barrel siphons are used to reduce the temperature of the medium before reaching the instrument.

WGI Pigtail Siphons are recommended for services involving temperatures above 100°F (37°C). On steam service, the siphon will prevent steam from entering a pressure gauge, diaphragm seal or transmitter. WGI Pigtail siphons are available in carbon and 316 stainless steel.

Specifications

Sizes

1/4" & 1/2" NPT

Material

Carbon or 304/316 Stainless Steel

Pressure Ratings

BS-1/2 3000 psi

PS-1/4 2000 psi or 5000 psi

PS-1/2 2000 psi or 5000 psi

Pigtail Siphon Optional Materials

Special Materials include 304SS, Monel, Tantalum, Hastelloy B & C, Carpenter 20, Nickel & Titanium

Pigtail Siphon Optional Styles

Single, Double or Triple loops



BS-1/2 & PS-1/4

Stocked Models

Barrel Siphon			
Part Number	Size	Material	List Price
BS-1/2	1/2" NPT male x female	316 Stainless	\$162.00
Pigtail Siphon			
Part Number	Size	Material	List Price
PS-1/4	1/4" MNPT	Carbon Steel	\$16.67
PS-1/2	1/2" MNPT	Carbon Steel	\$22.00
PSS-1/4	1/4" MNPT	316 Stainless	Phone
PSS-1/2	1/2" MNPT	316 Stainless	Phone
See Discount Line # 16			