

# WGI Miniature Needle Valves

Carbon Steel / Stainless Steel

## Specifications

### Sizes

1/8" & 1/4" NPT

### Maximum Operating Pressure

6000 psi

### Body & Bonnet Material

A105 Carbon steel or 316 Stainless Steel

### Stem Material

316 Stainless steel

### Stem Packing

PTFE Teflon®

### Stem

Rotating

### Seat Material (WN06 & WN04 Series)

PTFE Teflon®

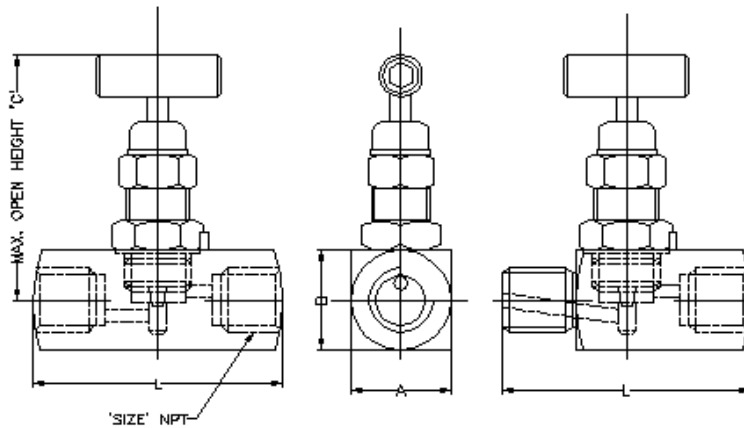
### Temperature Rating

-40° to 500°F (-40 to 250°C)



WN0532

## Dimensions & Part Numbers



| Part No. | Size | Pattern | Ends | Material | A    | B    | C    | L    | D    | Cv          |
|----------|------|---------|------|----------|------|------|------|------|------|-------------|
| WN0311   | 1/8" | G       | FxF  | 316SS    | 20.0 | 20.0 | 52.0 | 32.0 | 32.0 | <b>0.25</b> |
| WN0312   | 1/4" | G       | FxF  | 316SS    | 20.0 | 20.0 | 52.0 | 32.0 | 32.0 | <b>0.25</b> |
| WN0332   | 1/4" | G       | MxF  | 316SS    | 20.0 | 20.0 | 52.0 | 32.0 | 32.0 | <b>0.25</b> |
| WN0432*  | 1/4" | G       | MXF  | 316SS    | 20.0 | 20.0 | 52.0 | 32.0 | 32.0 | <b>0.25</b> |
| WN0511   | 1/8" | G       | FxF  | C/S      | 20.0 | 20.0 | 52.0 | 32.0 | 32.0 | <b>0.25</b> |
| WN0512   | 1/4" | G       | FxF  | C/S      | 20.0 | 20.0 | 52.0 | 32.0 | 32.0 | <b>0.25</b> |
| WN0532   | 1/4" | G       | MxF  | C/S      | 20.0 | 20.0 | 52.0 | 32.0 | 32.0 | <b>0.25</b> |
| WN0632*  | 1/4" | G       | MXF  | C/S      | 20.0 | 20.0 | 52.0 | 32.0 | 32.0 | <b>0.25</b> |

\* SOFT SEAT