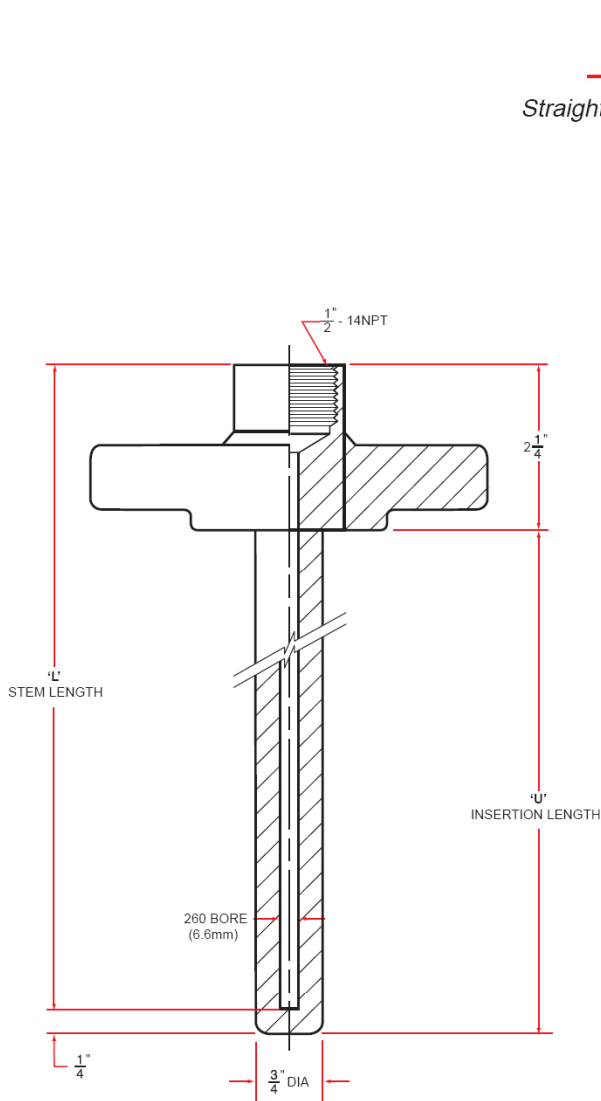


# Thermowells *Flanged Straight*



**Style**  
Straight TW32

**Bore**  
A 0.260  
B 0.385

**Flange Material**  
See Chart

**Stem Length (L)**  
Please insert in Decimal Units



- 1" 150 lbs 32
- 1 1/2" 150 lbs 33
- 2" 150 lbs 34
- 1" 300 lbs 42
- 1 1/2" 300 lbs 43
- 2" 300 lbs 44
- 1" 600 lbs 52
- 1 1/2" 600 lbs 53
- 2" 600 lbs 54

**Process Size**

See Chart

**Stem Material**

See Full Chart Options

**Options**

## Example:

**TW32** Straight  
**A** 0.260  
**33** 1 1/2" 150 lbs  
**L** 316SS Stem  
**L** 316SS Flange  
**12** Stem Length (L) inches  
**B** SS Plug & Chain (option)

## Material Chart:

**A** Brass  
**D** Carbon Steel  
**E** A105  
**F** F11  
**G** F22  
**H** 304  
**J** 304/L  
**L** 316  
**M** 316/L  
**R** Monel  
**T** Titanium  
**U** Hast. C

See full chart for more material codes.



**Western Gauge and Instruments Ltd.**

**Calgary: (403) 236-4888**

**Edmonton: (780) 463-3800**