

WGI Chemical Injection Kit

Designed for use on Wellheads for injection of Methanol.

Specifications

Maximum Operating Pressure
Limited to range of pressure gauge. Valves rated at 10,000 psi @ 100°F

Connection(s)
Main Valve (WMK-GI34) 1/2" NPT
Check Valve (WMK-CV0608) 3/8" Compression

Body & Bonnet Material
316 Stainless steel

Stem Material
316 Stainless steel

Stem Packing
PTFE Teflon®

Stem
Non rotating

Spring Material
Inconel

Cracking Pressure
7 PSI

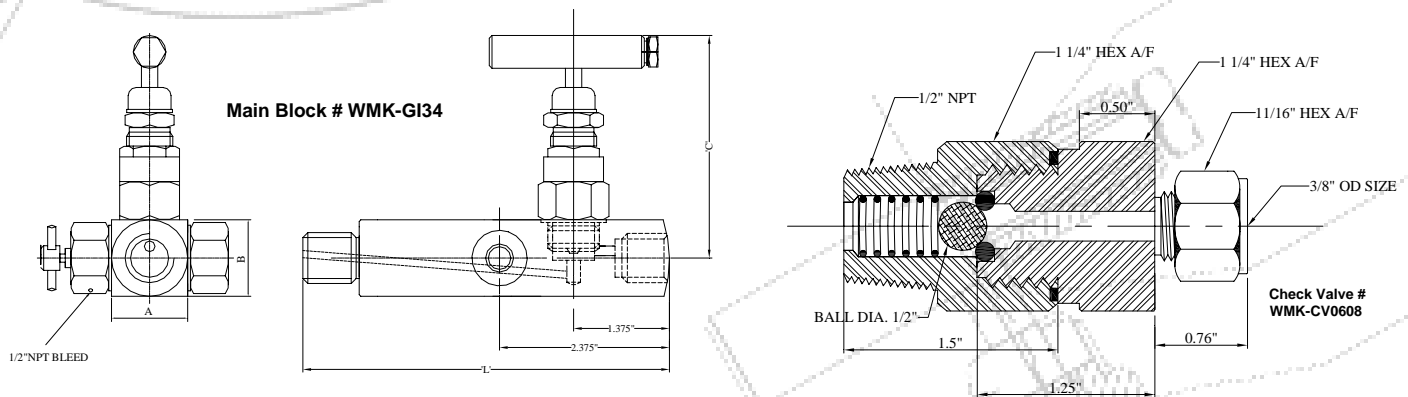
Temperature Limits
-40° to 500°F (-40°C to 260°C)

Dimensions & Part Numbers

- For pressure gauge dimensions see page 6
- For WN1334 dimensions see page 38



WMK



Part Number	Description
WMK-64	Complete Kit, Pressure Range 0-600 PSI / KPA
WMK-72	Complete Kit, Pressure Range 0-1000 PSI / KPA
WMK-74	Complete Kit, Pressure Range 0-1500 PSI / KPA
WMK-76	Complete Kit, Pressure Range 0-2000 PSI / KPA
WMK-82	Complete Kit, Pressure Range 0-5000 PSI / KPA
WMK-90	Complete Kit, Pressure Range 0-10,000 PSI / KPA

Please specify pressure range when ordering