

### Application

WGI Elite series pressure gauges have a 304 stainless steel case for use in harsh or corrosive environments, liquid filled for significant cushioning and pulsation dampening which reduces pointer flutter and internal damage. Industries suited for include oil and gas equipment, refineries, hydraulic equipment, agricultural equipment, pressure washers, pumps, compressors and process systems.

**Ranges** (all ranges not stocked)  
Vacuum / Compound to 30"Hg / 0 / 60 PSI  
Pressure from 15 PSI to 15,000 PSI

### Standard Features

#### Size

2½" Dial

#### Fill Fluid

Silicone

#### Lens (Window) Material

Acrylic & Safety glass (ranges over 5000 psi)

#### Dial

White aluminum with black and red lettering

#### Pointer

Black aluminum

#### Accuracy

± 2%-1%-2% ASME B40.1 Grade A

#### Tube & Socket

316 Stainless tube soldered to Stainless socket

#### Temperature Limits

-60°C (-4°F) to 70°C (158°F) ambient and medium

#### Pressure Ranges

-30" Hg. Vacuum to 15,000 psi/kpa

#### Case Material

304 Stainless Steel

#### Canadian Registration Number (CRN)

OF5299.25



### Optional Features (minimum order may apply)

Private label (your logo on dial)

Custom dial layout

Single scale, Bar, kPa, Kg/cm<sup>2</sup>

Rubber "gauge guard"

Cleaned for O2 Service

Nickel or Chrome plating

Plastic lens

Special connections limited to wrench flat area

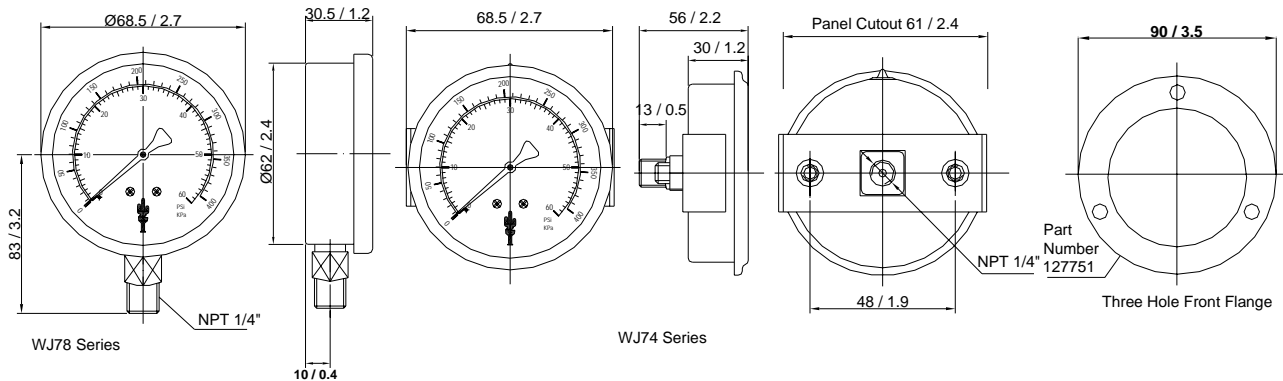
Custom soldering connection for high temperatures

Stainless steel case

Brass case

Medical specification

Elite 250 Series		
Connection	1/4" BTM	1/4" CBM
<b>Pressure Ranges</b>		
30" Hg Vac	WJ7805P	WJ7405P
30" Hg. x 30 psi	WJ7812P	WJ7412P
30" Hg. x 60 psi	WJ7814P	WJ7414P
0-15 psi / kpa	WJ7840P	WJ7440P
0-30 psi / kpa	WJ7842P	WJ7442P
0-60 psi / kpa	WJ7846P	WJ7446P
0-100 psi / kpa	WJ7848P	WJ7448P
0-160 psi / kpa	WJ7852P	WJ7452P
0-200 psi / kpa	WJ7854P	WJ7454P
0-300 psi / kpa	WJ7858P	WJ7458P
0-400 psi / kpa	WJ7860P	WJ7460P
0-600 psi / kpa	WJ7864P	WJ7464P
0-1000 psi / kpa	WJ7872P	WJ7472P
0-1500 psi / kpa	WJ7874P	WJ7474P
0-2000 psi / kpa	WJ7876P	WJ7476P
0-3000 psi / kpa	WJ7878P	WJ7478P
0-5000 psi / kpa	WJ7882P	WJ7482P
0-6000 psi / kpa	WJ7884P	WJ7484P
0-7500 psi / kpa	WJ7886P	WJ7486P
0-10000 psi / kpa	WJ7890P	WJ7490P
0-15000 psi / kpa	WJ7892P	WJ7492P



1,2 4045 – 74 Ave S.E.  
 Calgary, AB T2C 1H5  
 Ph: (403) 236-4888 Fax: (403) 236-7629  
 Email: sales@wgilt.com

6624 – 50<sup>th</sup> Street  
 Edmonton, AB T6B 2N7  
 Ph: (780) 463-3800 Fax: (780) 463-3990  
 Email: edm@wgilt.com