

# WGI Soft Seat Needle Valves – Carbon Steel

Process

## Specifications

### Sizes

1/4" through 1" NPT

### Maximum Operating Pressure

6000 psi

### Body & Bonnet Material

A105 Carbon steel

### Stem Material

316 Stainless steel

### Stem Packing

PTFE Teflon®

### Stem

Non rotating for sizes 3/8" and above

### Temperature Limits

-40° to 500° F (-40°C to 260°C)

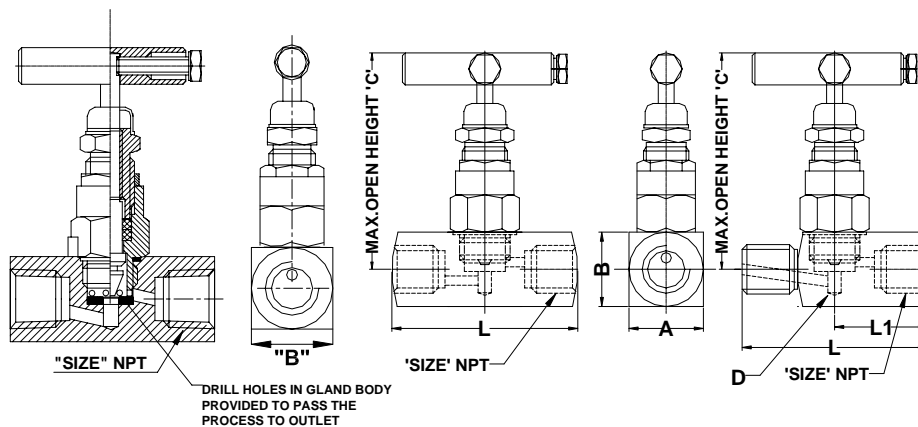
### Seat Material

Replaceable Delrin® seat



WN5534

## Dimensions & Part Numbers



Part No.	Size	Pattern	Ends	Matl.	A	B	C	L	L1	D
WN5512	1/4"	G	FxF	C/S	28.5	28.5	83.0	60.0		4.2
WN5514	1/2"	G	FxF	C/S	32.0	32.0	88.0	68.0		7.0
WN5516	3/4"	G	FxF	C/S	40.0	40.0	92.0	68.0		9.0
WN5518	1"	G	FxF	C/S	45.0	45.0	105.0	80.0		12.0
WN5532	1/4"	G	MxF	C/S	28.5	28.5	83.0	76.0	32.0	4.2
WN5534	1/2"	G	MxF	C/S	38.0	38.0	88.0	89.0	32.0	7.0
WN5572	1/4"	A	MxF	C/S	42.0	28.0	88.0	42.0	32.0	4.2
WN5574	1/2"	A	MxF	C/S	50.0	32.0	90.0	50.0	32.0	7.0

# WGI Soft Seat Needle Valves – Stainless Steel

Process

## Specifications

### Sizes

1/4" through 1" NPT

### Maximum Operating Pressure

6000 psi

### Body & Bonnet Material

316 Stainless steel

### Stem Material

316 Stainless steel

### Stem Packing

PTFE Teflon®

### Stem

Rotating

### Temperature Rating

-20° to 300° F (-20 to 150° C) WOG

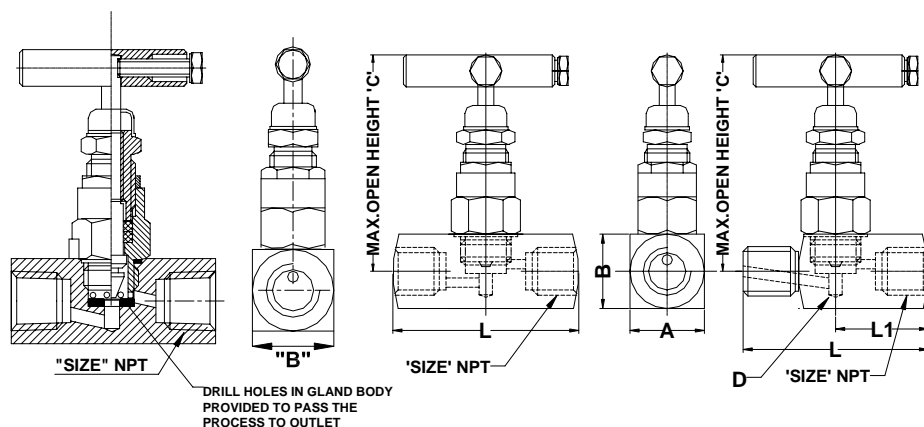
### Seat Material

Replaceable Delrin® seat



WN5334

## Dimensions & Part Numbers



Part No.	Size	Pattern	Ends	Matl.	A	B	C	L	L1	D
WN5312	1/4"	G	FxF	316SS	28.5	28.5	83.0	60.0	n/a	4.2
WN5314	1/2"	G	FxF	316SS	32.0	32.0	88.0	68.0	n/a	7.0
WN5316	3/4"	G	FxF	316SS	40.0	40.0	92.0	68.0	n/a	9.0
WN5318	1"	G	FxF	316SS	45.0	45.0	105.0	80.0	n/a	12.0
WN5332	1/4"	G	MxF	316SS	28.5	28.5	83.0	76.0	32.0	4.2
WN5334	1/2"	G	MxF	316SS	38.0	38.0	88.0	89.0	32.0	7.0
WN5336	3/4" x 1/2"	G	MxF	316SS	38.0	38.0	92.0	89.0	32.0	7.0